

# PERISTALTIC PUMP

## MP-PRO mA

Data Sheet

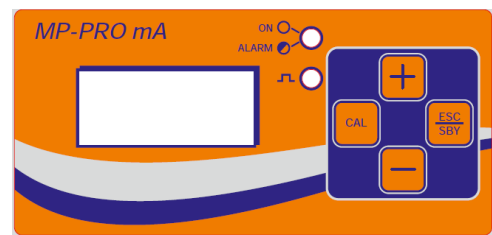
### DESCRIPTION

- ✓ Digital peristaltic pump with proportional flow rate according to 0/4-20 mA signal
- ✓ 2 operating mode available: **constant, proportional**
- ✓ 4 languages menu: **Italian, English, French, Spanish**
- ✓ 8 x 2 backlit LCD display
- ✓ Alarm and status led
- ✓ PP box
- ✓ IP 55
- ✓ 100% Made in Italy
- ✓ CE approved
- ✓ Standard Power Supply 230 V 50-60 Hz



### OPTIONAL

- ✓ Level switch input
- ✓ ON / OFF switch



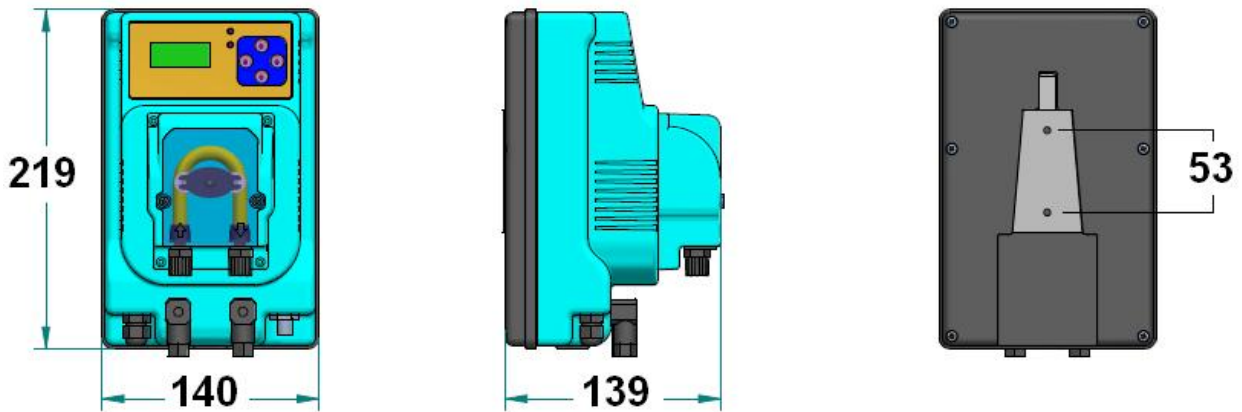
### TECHNICAL DATA

	Standard Material	Upon Request
Box	PP	-----
Rullers	DELRIN	-----
Tube	Santoprene	-----
Power Consumption	8 Watt	-----
Ring Nuts	PP M10	-----
Fittings	PP tubo 4 x 6	-----
Probe connections	BNC	-----
Foot filter valve	Lip valve	Ball valve
Suction tube	PVC 4 x 6	PVDF
Delivery tube	PE 4 x 6	PVDF

# PERISTALTIC PUMP MP-PRO mA

Data  
Sheet

TECHNICAL SPECIFICATIONS										
Standard	Max l/h	Pressure		Max cc / min	Tube Santoprene	Box	Power [Watt]	RPM	Weight	
		Bar	PSI						kg.	Lbs
1,5-01	1,5	01	14,7	25	5,8 x 9,3	PP	8	10	1,8	3,31
03-01	03	01	14,7	50	5,8 x 9,3	PP	8	20	1,8	3,31
06-01	06	01	14,7	100	5,8 x 9,3	PP	8	40	1,8	3,31



ACCESSORIES KIT				
	Injection valve PP-lip-Viton	Foot filter PP lip valve	Delivery tube 2mt PE 4x6	Suction tube 2mt PVC 4x6
STANDARD KIT				