

COMBINED PANEL SPEEDY FAMILY MP2

Data
Sheet

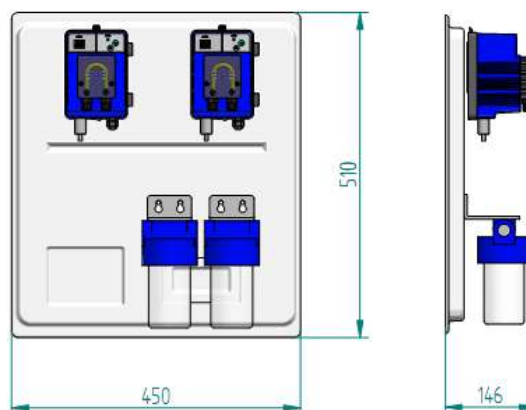
DESCRIPTION

- ✓ Electrically wired thermo-phormed panel
- ✓ Peristaltic dosing pump with built in Redox/ORP controller for proportional dosing, MP2 SPEEDY REDOX
- ✓ Peristaltic dosing pump with built in PH controller for proportional dosing, MP2 SPEEDY PH
- ✓ Flow trough probe holder with 50 micron filter
- ✓ Sampling tap
- ✓ Easier programming
- ✓ Auto calibration with one buffer solution
- ✓ Buffer solution pH 7 e 468 mV
- ✓ Shuko plug
- ✓ pH and redox electrode with epoxy body, 1 meter cable



OPTIONAL

- ✓ Graphic customization



PH CONTROLLER



PRO-PH

Range	0..14 pH
Pressure	3 BAR
T°C	70°C
Body	Epoxy
Sensor	platinum
Conn.	BNC
Diameter	Ø 12mm



REDOX POTENTIAL CONTROLLER FOR CHLORINE



PRO-REDOX

Scala	±1500mV / offset ±20 mV
Pressione	3 BAR
T°C	70°C
Corpo	Epoxy
Sensore	platinum
Conn.ne	BNC
Diametro	Ø 12mm

COMBINED PANEL SPEEDY FAMILY MP2

Data
Sheet

DESCRIPTION		
	Standard Material	Upon request
Standard Version		
Pump case	PP polipropilene caricato vetro 30 %	-----
Roller	DELRIN	-----
Tube	Santoprene	-----
Power supply	230 v 50 – 60 Hz	-----
Consumption	35 Watts	-----
Net weight	1,0 kg.	-----
Nuts	PP 1/8"	-----
Fittings	PP 4 x 6 mm	-----
Probe connection	BNC	-----

TECHNICAL SPECIFICATION										
Standard	Max lt/h	pressure		Max cc / min	Santoprene Tube	Pump Case	Watt	RPM	Weight	
		Bar	PSI						kg.	Lbs
1,0-01	1,5	01	14,7	25	4 x 7	PP	35	15	3	7,2
1,8-01	3	01	14,7	50	4 x 7	PP	35	15	3	7,2

