

PANEL

ME3 PH - REDOX

Data
Sheet

DESCRIPTION

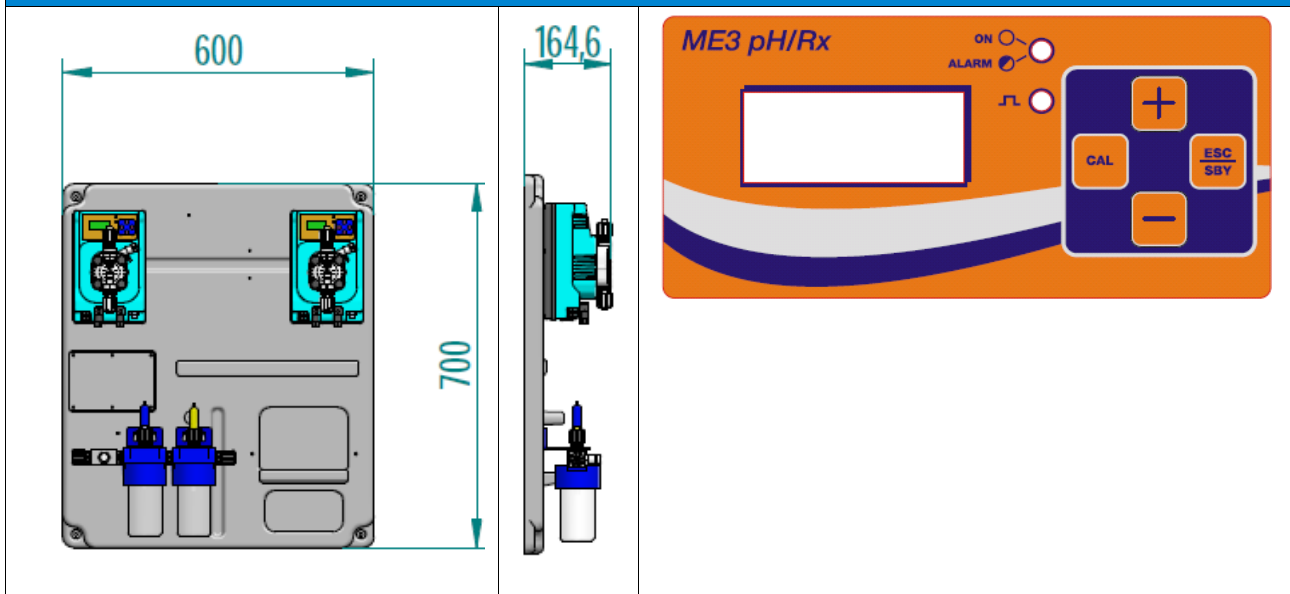
- ✓ IP 65 wired thermo moulded panel
- ✓ ME3-pH/redox dosing pump with built in controller for pH and redox. Up to 2 decimals measurement visualization
- ✓ 50micron net washable filter located inside a PRO-H2C flowthrough probeholder
- ✓ 4 x 6 or 8 x 12 water inlet
- ✓ Flow switch
- ✓ Start up delay
- ✓ Over dose alarm

OPTIONAL

- ✓ PVDF pump head
- ✓ Level switch predisposition



DIMENSIONS



Specifications subject to change without notice

Via Maestri del Lavoro,5 - 02100 Vazia (RI) - ITALY Tel.:+ 39(0)746-229064; Fax:+ 39(0)746-221224
e-mail: info@microdos.it ; Web site: www.microdos.it

PANEL ME3 PH - REDOX

Data
Sheet

TECHNICAL SPECIFICATIONS

	Standard Material	Upon Request
Pump Head	PP 1/2"	PVDF 1/2"
Balls	Pyrex	Ceramic, PTFE, AISI 316
Diafraghm	PTFE	-----
Fittings	PP	PVDF
Seals	Viton®	EPDM
Valve cartridge	PP 4 x 6	PVDF 4 x 6
Foot filter	PP 4 x 6 lip valve	PP 4 x 6 lip valve
Injection valve	PP 4 x 6 ball valve	PP 4 x 6 ball valve
Suction tube	PVC 4 x 6	PVDF
Delivery tube	PE 4 x 6	PVDF

STANDARD CONFIGURATION PROBES

	PH				Redox
SPECIFICATIONS	PRO-PH	PRO-G-PH	PRO-P-PH	PRO-H-PH	
Range	0 ÷ 14	0 ÷ 14	0 ÷ 14	0 ÷ 14	0 ÷ 999
Resolution	0,01	0,01	0,01	0,01	0,1
Flow rate	40 lt / h	40 lt / h	40 lt / h	40 lt / h	40 lt / h
Body	epoxy	glass	epoxy	glass	epoxy
Eletctrode	platino	platino	platino	platino	platinum
Temperature	60°C	80°C	50°C	130°C	60°C
Connection	BNC	BNC	BNC	BNC	BNC
Cable lenght	1 mt	1 mt	1 mt	1 mt	1 mt
Pressure	2 bar	2 bar	2 bar	6 bar	2 bar

ME3 SPECIFICATIONS

Standard	Max lt/h	Pressure		Max cc / imp	Stroke	Solenoid	Pump Head	Watt	Pulses	Weight	
		Bar	PSI							kg.	Lbs
10-02	10	02	29,4	1,11	1,3	Ø 80	PP	60	150	3,5	6,7
05-10	05	10	145	0,55	1,1	Ø 80	PP	60	150	3,5	6,7
04-12	04	12	176	0,44	0,9	Ø 80	PP	60	150	3,5	6,7
High flow rate											
24-01	24	01	15	3,34	2,2	Ø 90	PVC	60	150	4,0	8,8
22-02	22	02	29	2,89	2,2	Ø 90	PVC	60	150	4,0	8,8
High pressure											
03-15	03	15	218	0,67	1,4	Ø 90	PP	60	150	4,0	8,8
02-18	02	18	261	0,44	1,4	Ø 90	PP	60	150	4,0	8,8

Specifications subject to change without notice

Via Maestri del Lavoro,5 - 02100 Vazia (RI) - ITALY Tel.:+ 39(0)746-229064; Fax:+ 39(0)746-221224
e-mail: info@microdos.it ; Web site: www.microdos.it