

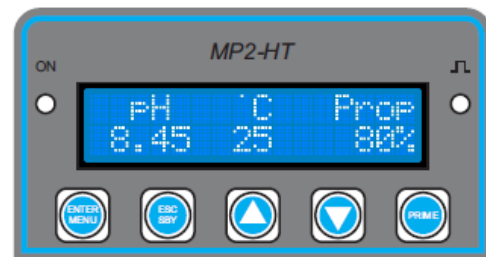
# COMBINED PANEL

## MP2-HT PH - CHLORINE

Data  
Sheet

### DESCRIPTION

- ✓ Thermoformed and wired panel with IP 65 box
- ✓ Digital peristaltic pump with built in **PH/REDOX** and **temperature** controller and real time measurement
- ✓ Digital peristaltic pump with **Chlorine Control** instrument on board and real time measurement directly in **ppm**
- ✓ **3** different operating mode: **Manual, ON/OFF, Proportional**
- ✓ **Manual function:** constant dosing
- ✓ **ON/OFF function:** constant dosing with programmable activation threshold
- ✓ **Proportional function:** proportional dosage to the measurement distance from the set point, fully programmable range of proportionality
- ✓ Proportionality of the dosage by **variation of the motor rotation speed**
- ✓ **4** languages available: **Italian, English, French, Spanish**
- ✓ Instantaneous visualization of the % flow rate
- ✓ Instantaneous visualization of the pH/Redox and temperature values
- ✓ Password protected
- ✓ **Time overdosage alarm (TAL System)**
- ✓ Startup delay
- ✓ **STAND-BY** mode
- ✓ Priming button for a **quick installation**
- ✓ Default parameter restore option
- ✓ **Backlit LCD Display** 16 x 2
- ✓ Alarm and dosing LED
- ✓ Power supply **90 ÷ 250 Vac** 50-60 Hz
- ✓ Reinforced PP box
- ✓ Polycarbonate glass with **quick coupling/uncoupling system**
- ✓ PBT roller holder with 2 rolls
- ✓ Longer engine life and better performance under pressure with the aid of a **bearing** for rotating the rollers holder
- ✓ **50micron** with washable net filter placed in the **outflow probe holder**
- ✓ **Water input connections 4x6mm or 8x12mm**
- ✓ Easy programming and minimum maintenance
- ✓ **100 % Made in Italy**
- ✓ CE approved



OPTIONAL KIT	STANDARD Version	BASIC Version	MEDIUM Version	FULL Version
✓ PBT Roller holder with 3 rolls	On Demand	On Demand	On Demand	On Demand
✓ PT100 Temperature Probe Predisposition	X	X	✓	✓
✓ Hose breakage alarm	X	X	✓	✓
✓ Dosing enabling	X	X	X	✓
✓ Level Probe Predisposition	X	✓	✓	✓
✓ Relay alarm output (dry contact)	X	X	X	✓
✓ Over/under measurement range alarm	X	X	X	✓
✓ ON/OFF manual switch	X	✓	✓	✓

# COMBINED PANEL

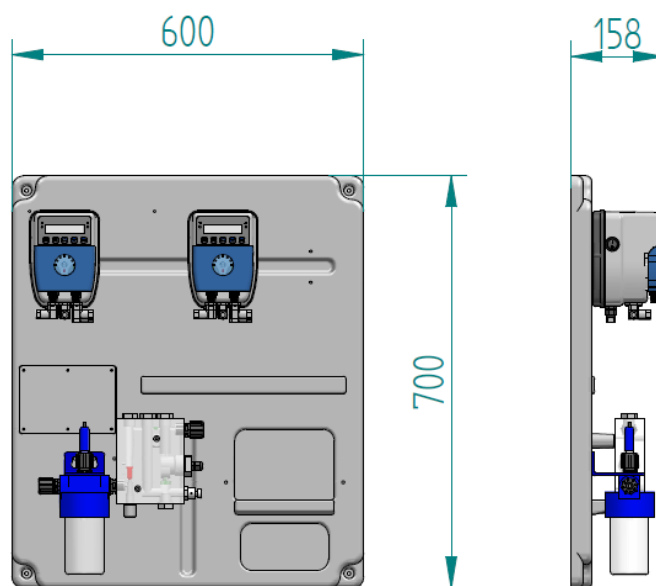
## MP2-HT PH - CHLORINE

Data  
Sheet

### DESCRIPTION

#### Standard CONFIGURATION

Box Case	Polypropylene
Roller Holder	DELRIN
Hose material	Santoprene
Power Supply	90 ÷ 250 Vac 50 – 60 Hz
Power Consumption	40 Watt
Net Weight	6 kg
Fittings	PP ring nuts for hose 4 x 6 mm
Probe connection	BNC / HTP
Injection valve / Foot filter	Lip valve (PP + VT)
Suction tube	PVC 4 x 6
Delivery tube	PE 4 x 6



### TECHNICAL SPECIFICATIONS

Standard	Flow Rate		Pressure		Hose Material	Hose Dimensions [mm]	RPM
	[l/h]	[cc/min]	[Bar]	[PSI]			
03 – 01*	3,0	50	1	14,5	Santoprene	5,8 x 9,3	20
06 – 01*	6,0	100	1	14,5	Santoprene	5,8 x 9,3	48
12 – 01*	12,0	200	1	14,5	Santoprene	5,8 x 9,3	104




\*20% flow reduction in the 3-rolls version

# COMBINED PANEL

## MP2-HT PH - CHLORINE

Data  
Sheet

### PROBES SUITABLE FOR STANDARD CONFIGURATION

ELECTRODE FEATURES	PRO-PH	PRO-CG CL3	PRO-CP CLI B PRO-CP CLO M
			
<b>Measurement Range</b>	0 ÷ 14	0 ÷ 5 PPM	0 ÷ 2 / 0 ÷ 20 PPM
<b>Resolution</b>	0,01	0,01	0,01
<b>Analysis flow water</b>	60 l/h	60 l/h	60 l/h
<b>Body</b>	Epoxy	Rame	PVC
<b>Electrode</b>	Platino	Platino	Oro
<b>Temperature</b>	0 ÷ 60°C	5 ÷ 40°C	0 ÷ 45°C
<b>Connections</b>	BNC	BNC	HTP
<b>Cable lenght</b>	1 mt	1,5 m	1,5 m
<b>Pressure</b>	2 bar	2 bar	1 bar