

MP2-PH peristaltic dosing pump



Description

Proportional peristaltic tube pump for pH control.

Features

- Instant display of pH value
- Automatic detection of probe efficiency
- Suitable for the dosage of pH + and pH - chemicals (acid and basic) selectable by software
- Programming over the entire range of pH 0-14
- Proportionality range definition
- Easy to maintain
- PP Pump casing
- IP 65 protection

Optional

- Overdose alarm
- Level probe input instead of overdose alarm
- On/off switch
- Including SCHUKO Plug
- Dosing enabling

Technical data

Standard	Max. flow	Pressure	Max. flow	Hose material	Hose Dimensions	Speed
	[l/h]	[bar]	[cc/min]		[mm]	[rpm]
04-01	4	1	66.67	Santoprene	5.8 x 9.4	30
1.2-01	1.2	1	20	Viton	4.8 x 8	10

Standard installation kit

- Injection valve
- Foot Filter
- Suction tube 2 m PVC 4x6
- Delivery tube 2 m PE 4x6

Accessories

- PH Probe
- Buffer Solution 7
- Saddle clamps
- Probe holder
- Suction lances
- Mixers
- Tanks and bunds

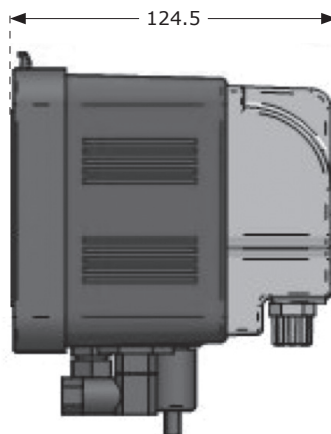
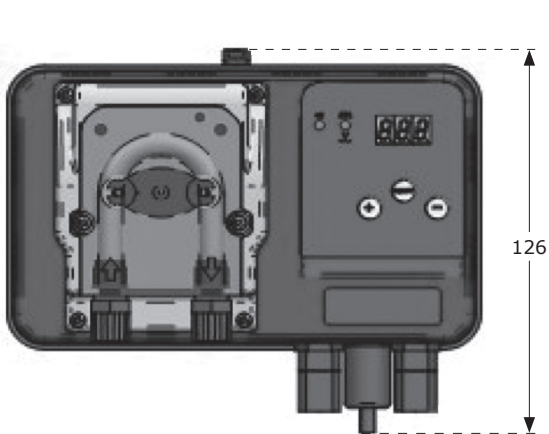
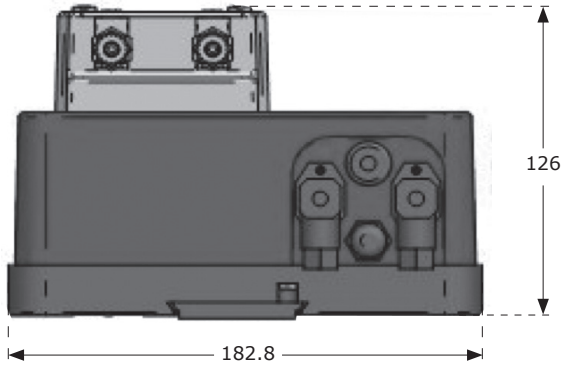
Materials

	Standard material	Optional material
Pump body	Polypropylene	
Holder	Delrin	Teflon
Hose material	Santoprene	Viton
Power supply	230 VAC, 50 – 60 Hz	
Power consumption	12 watt	
Net weight	1,6 kg	
Probe connection	BNC	
Injection valve / foot filter	Lip valve	

MP2-PH peristaltic dosing pump



Dimensions



All dimensions are in mm.
All dimensions and weights are for guidance only.