

# MP2-HT Chlorine



## Description

Peristaltic digital, proportional dosing pump for chlorine products. Protection class IP 65. This dosing pump system has a longer engine life and better performance under pressure because of a bearing on the roller holder.

## Features

- Built-in controller for chlorine
- PPM chlorine reading
- Overdosing time alarm
- Start time delay setting
- Status and programming led alarm
- STAND-BY function to stop dosing
- Priming button for quick installation
- Default parameter restore option
- Flow sensor
- Password protected
- Over/under range alarm

## Function modes

- Manual: constant
- On/Off: constant with programmable activation threshold
- Proportional: according to measurement distance from set point, proportional range freely programmable

## Display

- Backlit LCD display, 16 x 2 characters
- 4 Languages
- Display of flow rate
- Display of PPM Chlorine

## Technical specifications

Standard	Flow rate		Pressure		Hose material	Hose dimensions [mm]	Speed [rpm]
	[l/h]	[cc/min]	[Bar]	[PSI]			
03 – 01*	3,0	50	1	14,5	Santoprene	5,8 x 9,3	20
06 – 01*	6,0	100	1	14,5	Santoprene	5,8 x 9,3	48
12 – 01*	12,0	200	1	14,5	Santoprene	5,8 x 9,3	104

\*20% flow reduction in the 3-rolls version

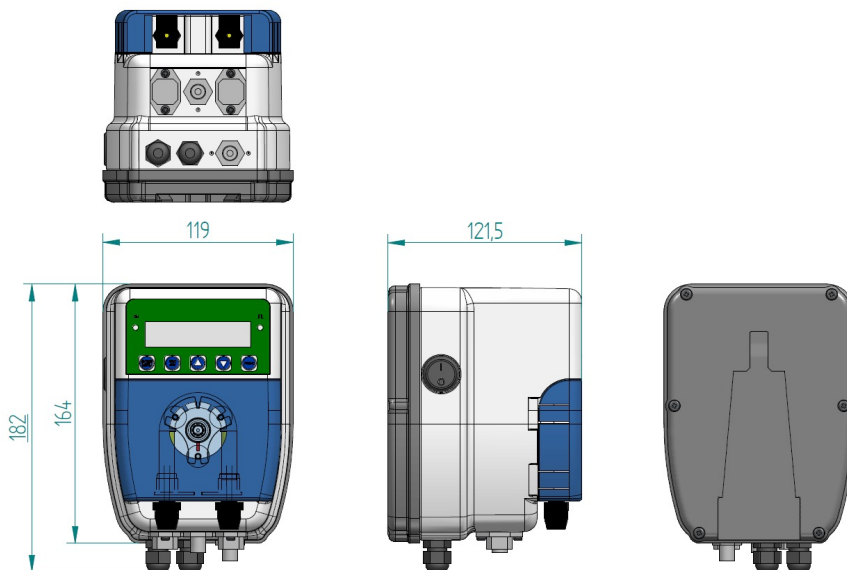
Description	Standard configuration
Box Case	Polypropylene
Roller Holder	DELTRIN
Hose material	Santoprene
Power Supply	90 ÷ 250 Vac 50 – 60 Hz
Power Consumption	20 Watt
Net Weight	0,9 kg
Fittings	PP ring nuts for hose 4 x 6 mm
Probe connection	BNC
Injection valve / Foot filter	Lip valve

# MP2-HT Chlorine



Optional kit	Standard version	Basic version	Medium version	Full version
PBT Roller holder with 3 rolls	On demand	On demand	On demand	On demand
Hose breakage alarm	-	-	✓	✓
Dosing enabling	-	-	-	✓
Level Probe Predisposition	-	✓	✓	✓
Relay alarm output (dry contact)	-	-	-	✓
SCHUKO plug	-	-	-	✓
ON/OFF manual switch	-	✓	✓	✓

## Dimensions







All dimensions are in mm. All dimensions and weights are for guidance only.



# MP2-HT Chlorine



## Accessory kit

Standard kit	Nr.1 Injection Valve 1/2" PP-VL-VT lip valve Viton®	Nr.1 Foot filter 1/2" PP-VL-VT lip valve Viton®	Nr. 1 Delivery Hose 2mt PE 4x6	Nr. 1 Suction Hose 2mt PVC 4x6
				

## Electrodes

Probes	Measure- ment range (PPM)	Resolution (ppm)	Analysis water flow	Body	Electrode	Temp.	Fittings	Cable length	Back pressure
	[ppm]	[ppm]	[l/h]			[°C]		[m]	[bar]
 PRO-CG CL3	0 - 5	0.01	60	Copper	Platinum	5 - 40	BNC	1.5	2
 PRO-CP CLI B / PRO-CP CLO M	0 - 2 / 0 - 20	0.01	60	PVC	Gold	0 - 45	HTP	1.5	1

**CG CL3 (copper and platinum).** For swimming pools that work with hypochlorite, up to 50 ppm.

**PRO CP CLI B** for chlorine readings close to 0.00 p.p.m. (low chlorine concentration)

Find your local supplier at [www.verderliquids.com](http://www.verderliquids.com)

For construction, installation and floor mounting drawings  
please contact your local authorised MICRODOS distributor.