

MIXERS

Data
Sheet

DESCRIPTION

The mixers are a perfect solution for mixing chemicals in small tanks (100 to 500 liters). The endless screw gear doesn't need lubrication.

Shaft made of stainless steel for maximum strength to mechanical stress

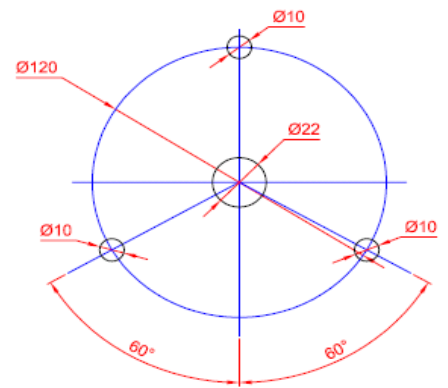
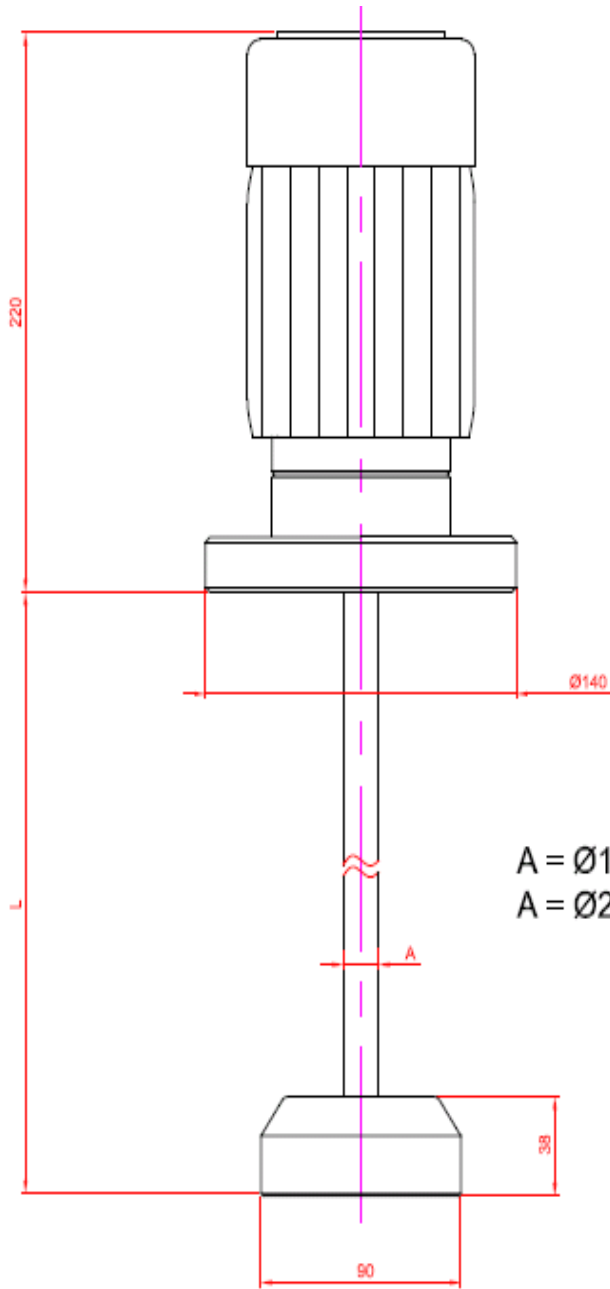
Comes with two standard speeds of 70 rpm in the configuration with gear / slow and fast 1400 rpm in the configuration. Other speeds can be defined on the basis of specific requests

Phase asynchronous motor 220-240V \pm 5% 50 Hz, phase asynchronous motor supply voltage 380-420 V \pm 5% 50 Hz. Both 4-pole.

SPECIFICATIONS

	Power		RPM	Height (mm)	Paddle diameter (mm)	Shaft diameter (mm)	Execution
	Kw	Hp					
Single-phase	0,09	0,12	1400	60-70-80-90	90	21	PVC
Single-phase	0,09	0,12	1400	60-70-80-90	90	16	AISI
Three-phase	0,09	0,12	1400	60-70-80-90	90	21	PVC
Three-phase	0,09	0,12	1400	60-70-80-90	90	16	AISI
Single-phase	0,09	0,12	70	60-70-80-90	210	21	PVC
Single-phase	0,09	0,12	70	60-70-80-90	210	16	AISI
Three-phase	0,09	0,12	70	60-70-80-90	210	21	PVC
Three-phase	0,09	0,12	70	60-70-80-90	210	16	AISI

MIXERS

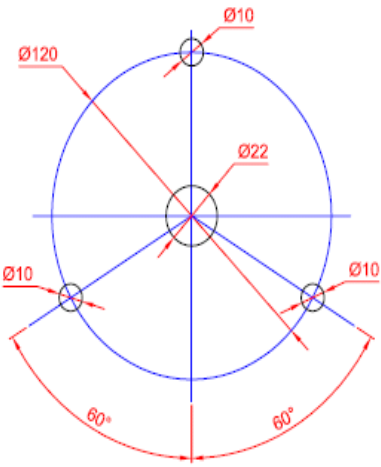
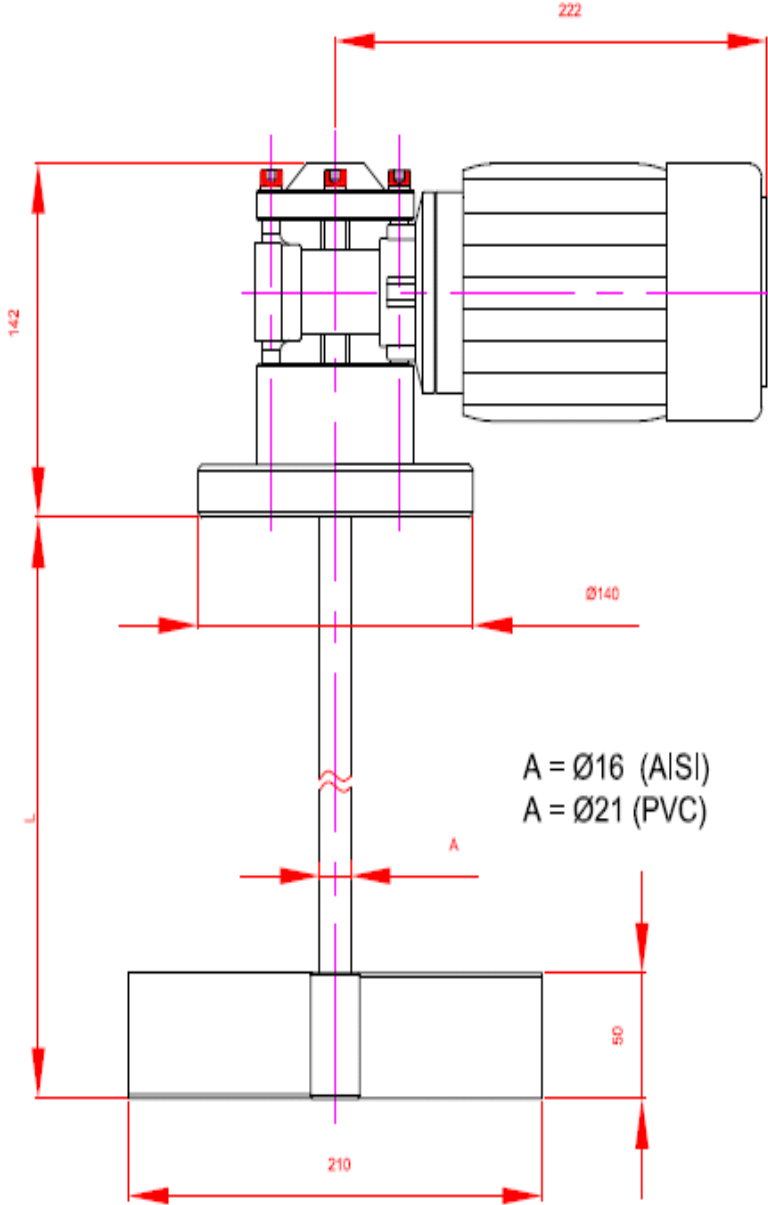


DIMA DI FORATURA

MIXERS

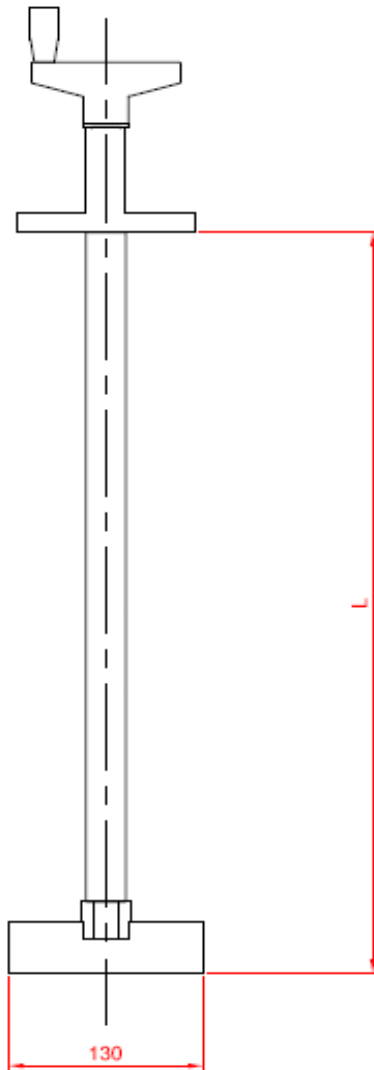
Data Sheet

DIMENSIONS (mm) SLOW VERSION 70 RPM



DIMA DI FORATURA

DIMENSIONS (mm) MANUAL MIXERS



CODICE	DESCRIZIONE	"L"
00.044.600	MANUALE 60	60
00.044.601	MANUALE 70	70
00.044.602	MANUALE 80	80
00.044.603	MANUALE 90	90
00.044.604	MANUALE 100	100
00.044.605	MANUALE 110	110
00.044.606	MANUALE 45	45

ADVICE

Main Features

The mixer life span depends on the conditions of use. It is recommended to place the product in an environment not too humid to prevent the fumes from damaging the engine by causing it to malfunction. The use of the agitator must not be continuous but connected to a timer which enables the switching on and off.