

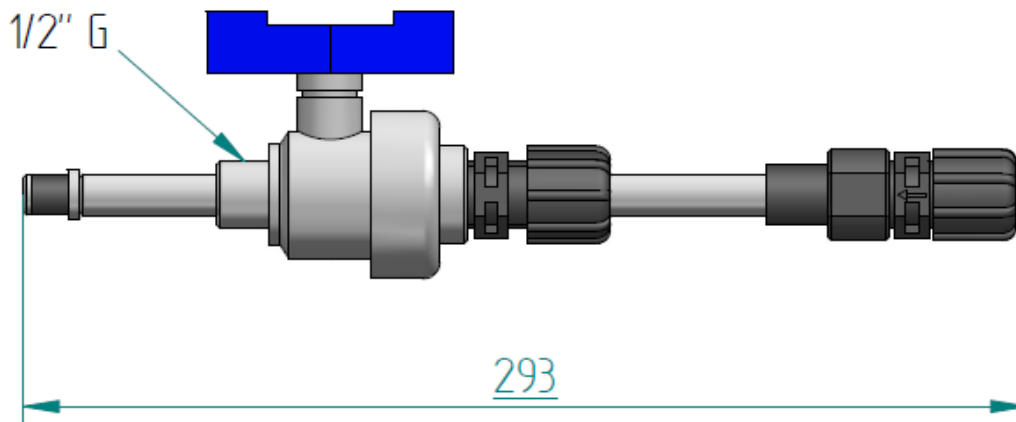
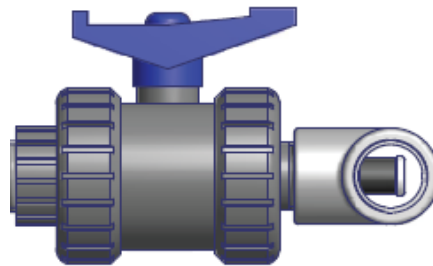
INJECTION VALVE

Data
Sheet

CHARACTERISTICS

The injection lance are designed to permit the removal of the injection valve when backpressure is present in the net. Two versions are available with or without ball in the water tap. The body of the valve is in PVDF with Viton (FKM) seals or Dutral (EPDM) seals

	FKM	EPDM
Connection	1/2"	1/2"
Maximum back pressure	16 bar	16 bar
Temperature	25 °C	25 °C
Body	PVDF	PVDF
Water tap	PVC	PVC



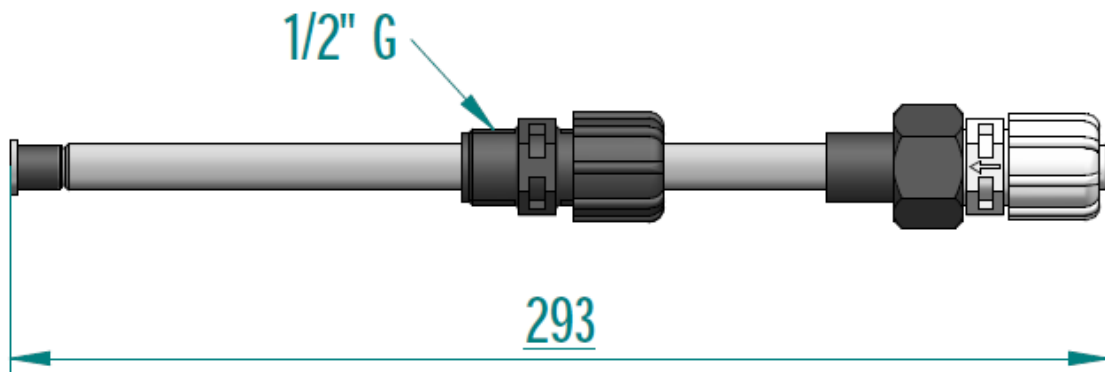
Specification subject to change without notice

Via Maestri del Lavoro,5 - 02100 Vazia (RI) - ITALY Tel.:+ 39(0)746-229064; Fax:+ 39(0)746-221224
e-mail: info@microdos.it ; Web site: www.microdos.it

INJECTION LANCE

Data
Sheet

	FKM	EPDM
Connection	1/2"	1/2"
Maximum pressure	16 bar	16 bar
Temperature	25 °C	25 °C
Body	PVDF	PVDF
Water tap	PVC	PVC



Specification subject to change without notice

Via Maestri del Lavoro,5 - 02100 Vazia (RI) - ITALY Tel.:+ 39(0)746-229064; Fax:+ 39(0)746-221224
e-mail: info@microdos.it ; Web site: www.microdos.it