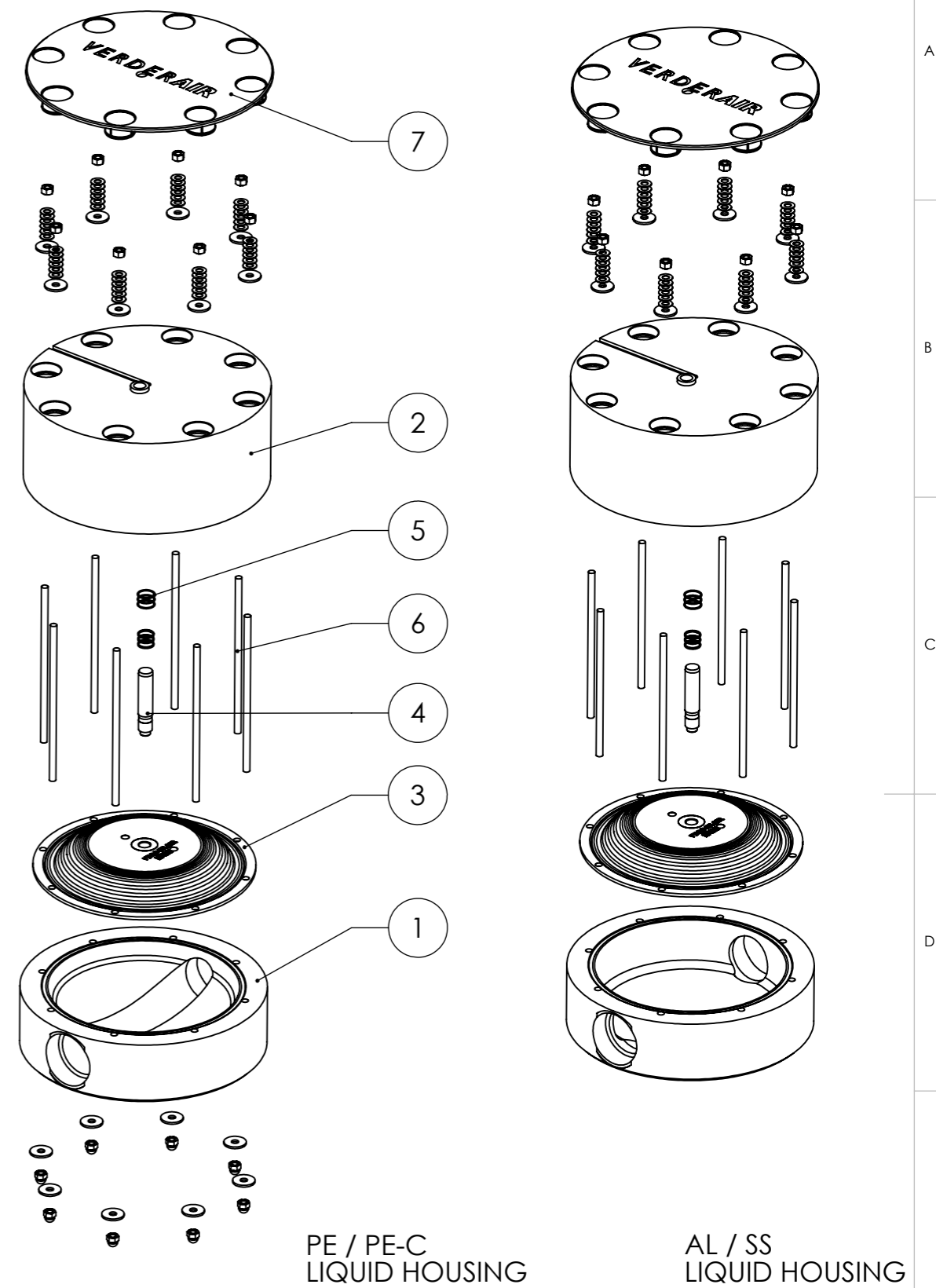
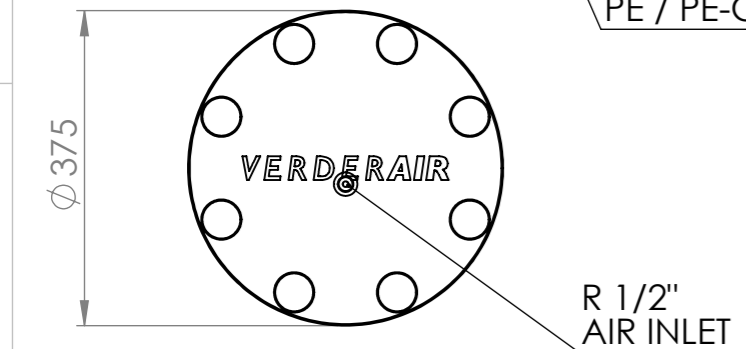
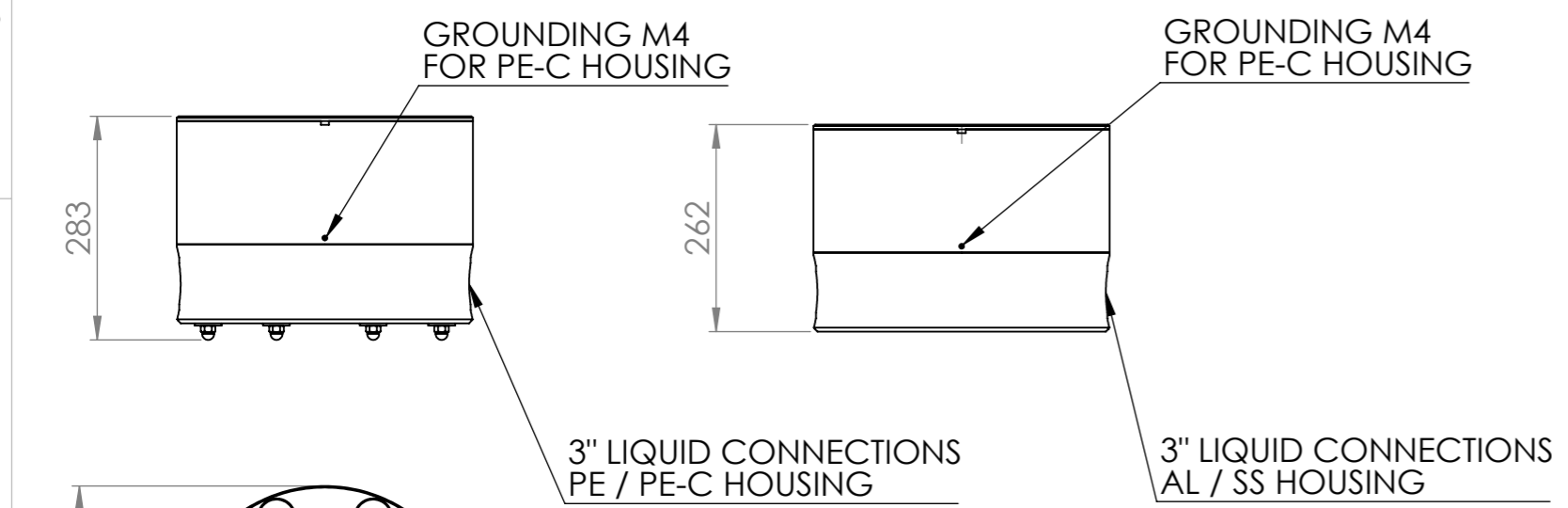
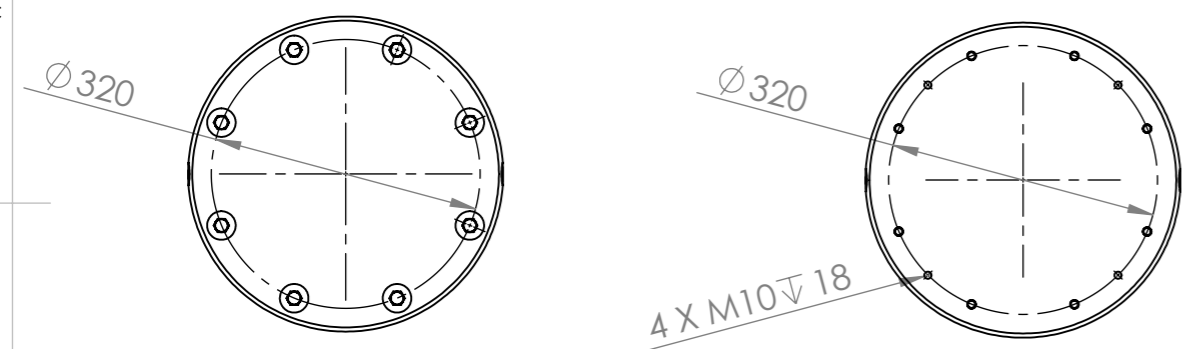


POS	PART NUMBER	PART NAME	QUANTITY
1	6591332	DAMPENER HOUSUNG PE TN	1
1	6591333	DAMPENER HOUSUNG PE TB	1
1	6591245	DAMPENER HOUSUNG PE-C TN	1
1	6591246	DAMPENER HOUSUNG PE-C TB	1
1	6591247	DAMPENER HOUSUNG AL TN	1
1	6591248	DAMPENER HOUSUNG AL TB	1
1	6591249	DAMPENER HOUSUNG SS TN	1
1	6591250	DAMPENER HOUSUNG SS TB	1
2	6591334	CENTER SECTION PA6	1
2	6591267	CENTER SECTION PE-C	1
3	6590760	DIAPHRAGM EPDM	1
3	6590761	DIAPHRAGM PTFE	1
4	6591268	DAMPENER SHAFT	1
5	6590920	SHAFT BEARING SET	1
6	6591279	ASSEMBLY PIN PLASTIC SET	8
6	6591280	ASSEMBLY PIN METAL SET	8
7	6591335	CAP	1
7	6591336	CAP CONDUCTIVE	1



COPYRIGHT OF THIS DRAWING IS OWNED BY "VERDER NV"  
COPY OR DISTRIBUTION TO THIRD PARTY IS NOT PERMITTED WITHOUT WRITTEN CONFIRMATION

REMOVE ALL BURRS AND SHARP EDGES  
ALL DIMENSIONS ARE IN MM  
CAD GENERATED DRAWING, MANUAL CHANGES NOT PERMITTED

0	±0,20
0,0	±0,10
0,00	±0,05
0,000	±0,02

DRAWN	DATE	PRODUCT NUMBER
R. R.	2016-01-14	
CHECKED	DATE	PRODUCT NAME
R. A.	2016-01-14	PD-S80
MATERIAL		
WEIGHT	SCALE	REVISION
	1:9	0.2
SIZE	SHEET	STANDARD SPECIFICATION
A3	1 / 2	

