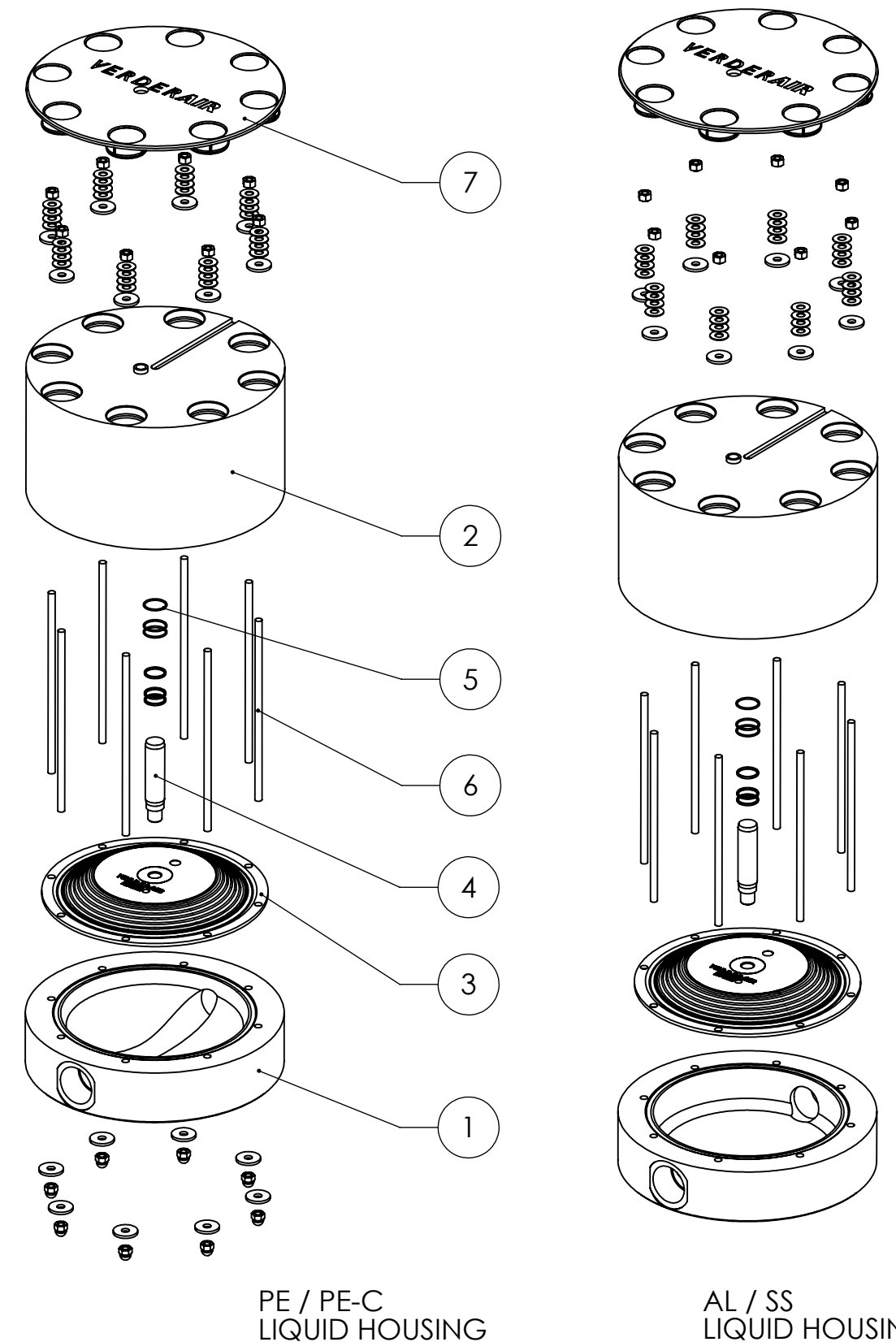
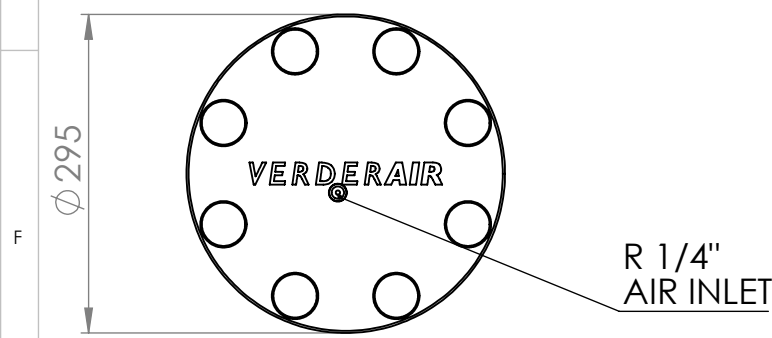
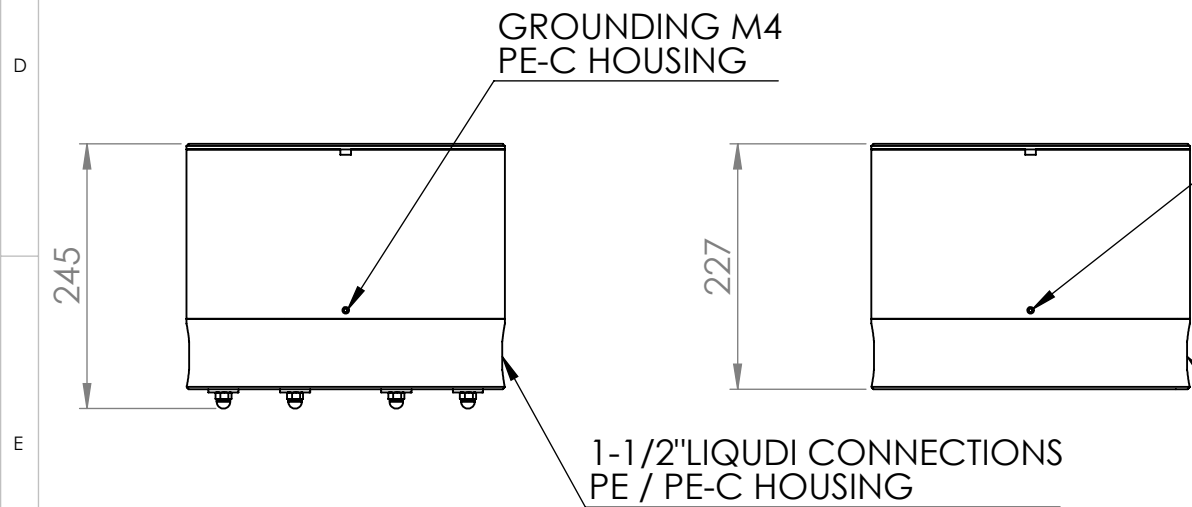
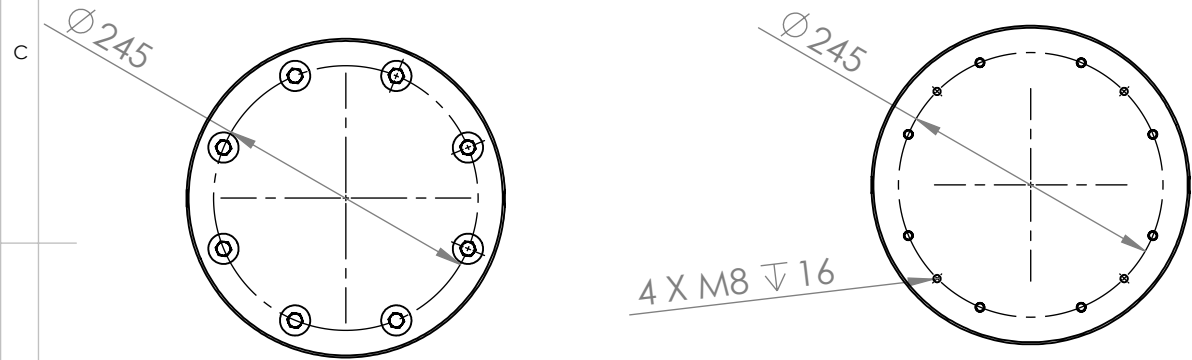


POS.	PART NUMBER	PART NAME	QUANTITY
1	6591328	DAMPENER HOUSING PE TN	1
1	6591329	DAMPENER HOUSING PE TB	1
1	6591233	DAMPENER HOUSING PE-C TN	1
1	6591234	DAMPENER HOUSING PE-C TB	1
1	6591235	DAMPENER HOUSING AL TN	1
1	6591236	DAMPENER HOUSING AL TB	1
1	6591237	DAMPENER HOUSING SS TN	1
1	6591238	DAMPENER HOUSING SS TB	1
2	6590915	CENTER SECTION PA6	1
2	6590916	CENTER SECTION PE-C	1
3	6590661	DIAPHRAGM EPDM	1
3	6590662	DIAPHRAGM PTFE	1
4	5690917	DAMPENER SHAT	1
5	6590920	SHAFT BEARING SET	1
6	6591275	ASSEMBLY PIN PLASTIC SET	8
6	6591276	ASSEMBLY PIN METAL SET	8
7	6590769	CAP	1
7	6590770	CAP CONDUCTIVE	1



COPYRIGHT OF THIS DRAWING IS OWNED BY "VERDER NV"
COPY OR DISTRIBUTION TO THIRD PARTY IS NOT PERMITTED WITHOUT WRITTEN CONFIRMATION

REMOVE ALL BURRS AND SHARP EDGES
ALL DIMENSIONS ARE IN MM
CAD GENERATED DRAWING, MANUAL CHANGES NOT PERMITTED

0	±0,20
0,0	±0,10
0,00	±0,05
0,000	±0,02

TOLERANCING

CHANGE NO.

DATE

DRAWN	DATE	PRODUCT NUMBER
R. R.	2016-01-14	
CHECKED	DATE	PRODUCT NAME
R. A.	2016-01-14	PD-S40
MATERIAL		
WEIGHT	SCALE	REVISION
	1:7	0.2
SIZE	SHEET	STANDARD SPECIFICATION
A3	1 / 2	

