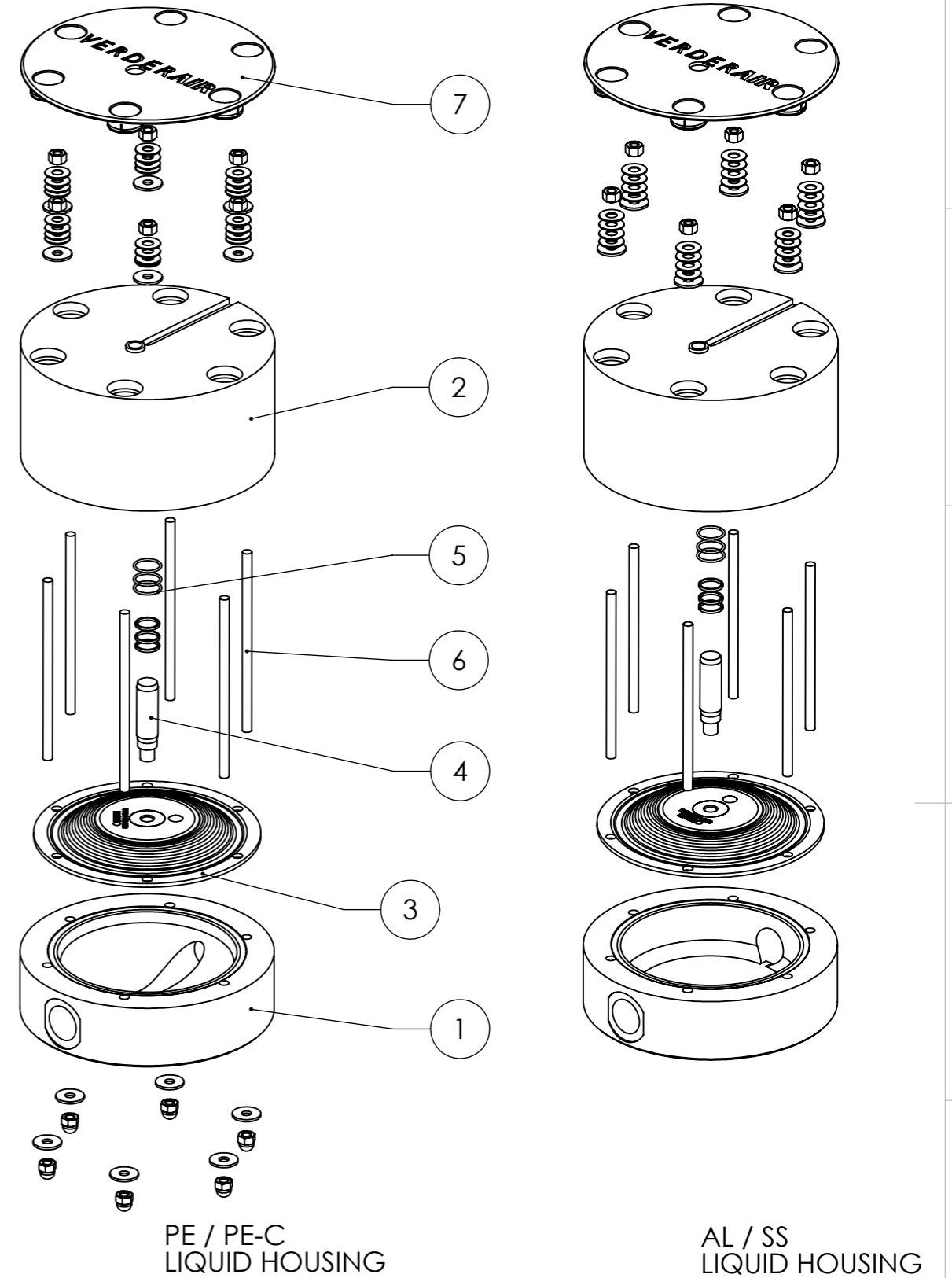
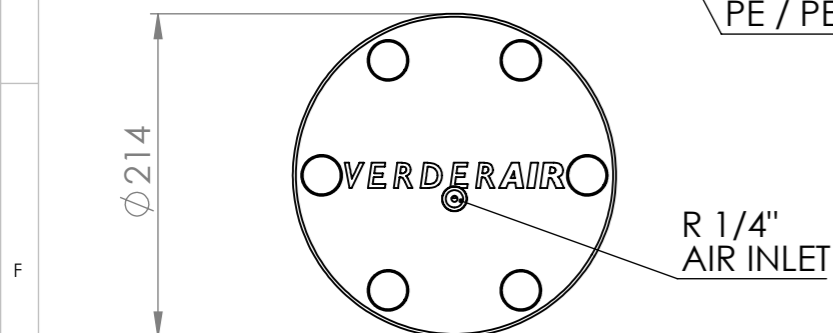
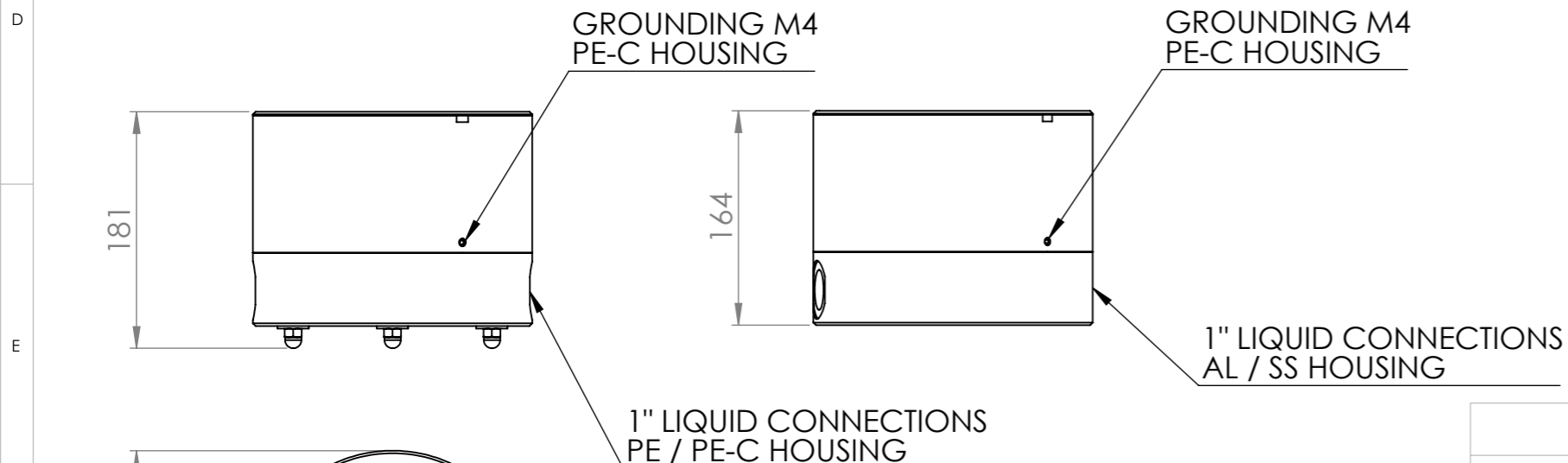
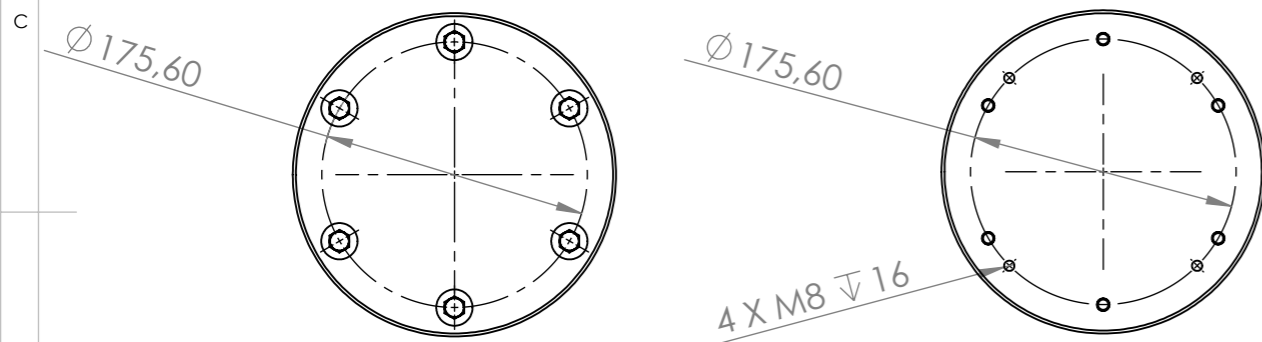


POS.	PART NUMBER	PART NAME	QUANTITY
1	6591326	DAMPENER HOUSING PE TN	1
1	6591327	DAMPENER HOUSING PE TB	1
1	6591227	DAMPENER HOUSING PE-C TN	1
1	6591228	DAMPENER HOUSING PE-C TB	1
1	6591229	DAMPENER HOUSING AL TN	1
1	6591230	DAMPENER HOUSING AL TB	1
1	6591231	DAMPENER HOUSING SS TN	1
1	6591232	DAMPENER HOUSING SS TB	1
1	6590900	CENTER SECTION PA6	1
2	6590901	CENTER SECTION PE-C	1
3	6590562	DIAPHRAGM EPDM	1
3	6590563	DIAPHRAGM PTFE	1
4	6590902	DAMPENER SHAFT	1
5	6590905	SHAFT BEARING SET	1
6	6591273	ASSEMBLY PIN PLASTIC SET	6
6	6591274	ASSEMBLY PIN METAL SET	6
7	6590903	CAP	1
7	6590904	CAP CONDUCTIVE	1



COPYRIGHT OF THIS DRAWING IS OWNED BY "VERDER NV"
COPY OR DISTRIBUTION TO THIRD PARTY IS NOT PERMITTED WITHOUT WRITTEN CONFIRMATION

REMOVE ALL BURRS AND SHARP EDGES
ALL DIMENSIONS ARE IN MM
CAD GENERATED DRAWING, MANUAL CHANGES NOT PERMITTED

0	±0,20
0,0	±0,10
0,00	±0,05
0,000	±0,02

TOLERANCING

CHANGE NO.

DATE

DRAWN	DATE	PRODUCT NUMBER
R. R.	2016-01-14	
CHECKED	DATE	PRODUCT NAME
R. A.	2016-01-14	PD-S25
MATERIAL		
WEIGHT	SCALE	REVISION
	1:5	0.2
SIZE	SHEET	STANDARD SPECIFICATION
A3	1 / 3	

