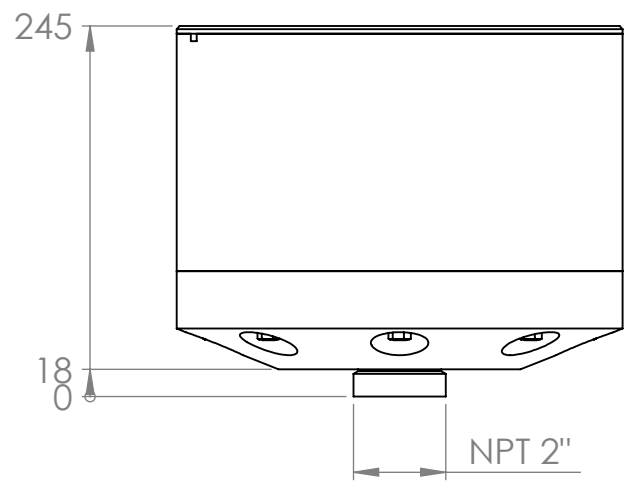
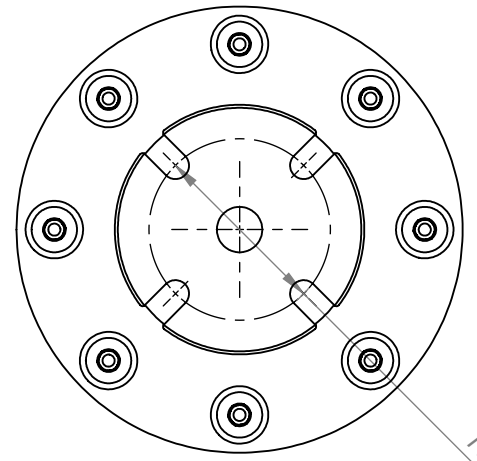


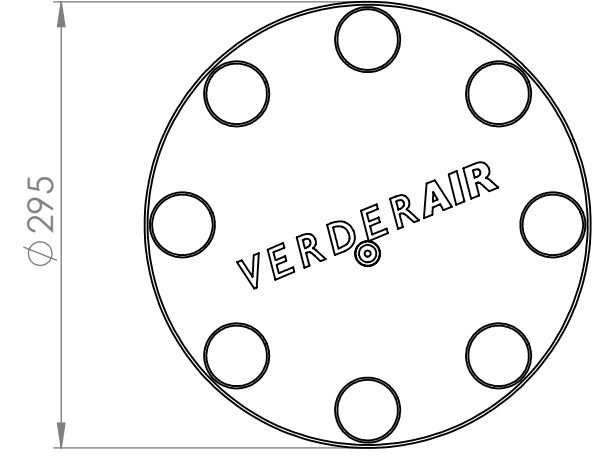
PD-P50xx xx FS



PD-P50xx xx TN



FLANGE DIN, JIS, ANSI PREPARED



AIR INLET R 1/4"

POS.	PART NUMBER	PART NAME	QUANTITY
1	6590907	DAMPENER HOUSING PE FS	1
1	6590908	DAMPENER HOUSING PE TN	1
1	6590909	DAMPENER HOUSING PE-C FS	1
1	6590910	DAMPENER HOUSING PE-C TN	1
1	6590911	DAMPENER HOUSING PTFE FS	1
1	6590912	DAMPENER HOUSING PTFE TN	1
1	6590913	DAMPENER HOUSING PTFE-C FS	1
1	6590914	DAMPENER HOUSING PTFE-C TN	1
2	6590915	CENTER SECTION PA6	1
2	6590916	CENTER SECTION PE-C	1
3	6590661	DIAPHRAGM EPDM	1
3	6590662	DIAPHRAGM PTFE	1
4	6590917	DIAPHRAGM SHAFT PD	1
5	6590920	SHAFT BEARING SET PD	1
6	6590921	ASSEMBLY PIN SET PD	8
7	6590918	CAP PD40	1
7	6590919	CAP PD40 COND.	1
8	6590769	O-RING CONNECTION EPDM	1
8	6590770	O-RING CONNECTION ENCAP.	1

COPYRIGHT OF THIS DRAWING IS OWNED BY "VERDER NV"  
 COPY OR DISTRIBUTION TO THIRD PARTY IS NOT PERMITTED WITHOUT WRITTEN CONFIRMATION

DRAWN		DATE	PRODUCT NUMBER
R. R.		2014-12-12	
CHECKED		DATE	PRODUCT NAME
R. A.		2014-12-12	PD-P50
MATERIAL			
WEIGHT	SCALE	REVISION	DRAWING NUMBER
	1:20	02	
SIZE	SHEET	STANDARD SPEC.	
A3	1 / 2		

