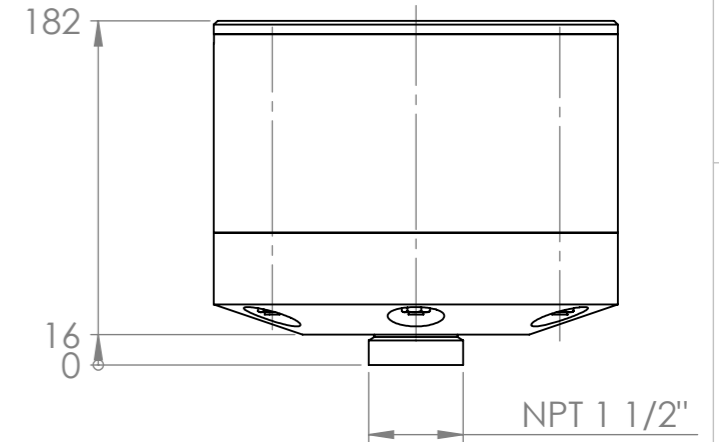
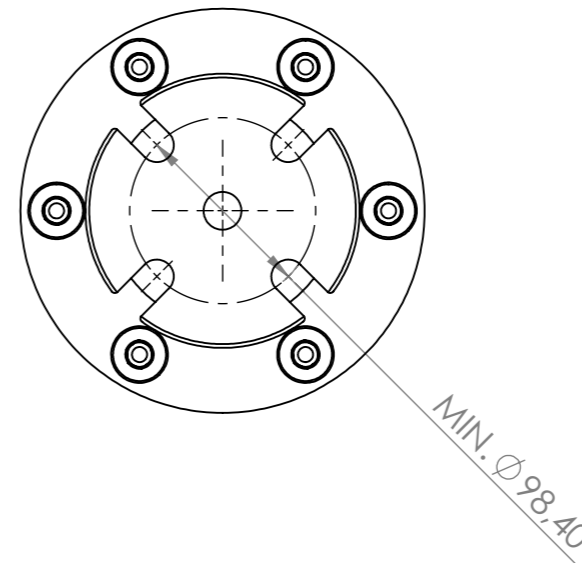


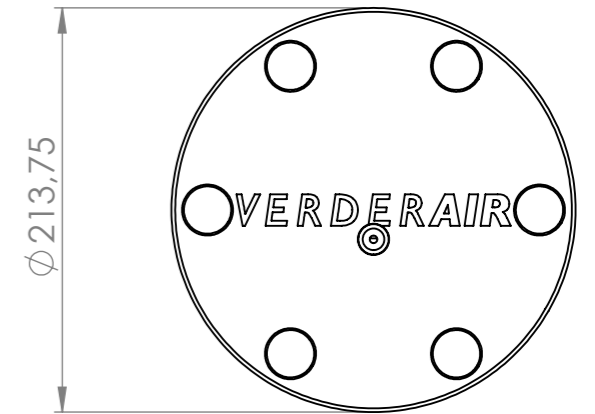
PD-P40xx xx FS



PD-P40xx xx TN



FLANGE DIN, JIS, ANSI PREPARED



AIR INLET R 1/4"

POS.	PART NUMBER	PART NAME	QUANTITY
1	6590892	DAMPENER HOUSING PE FS	1
1	6590893	DAMPENER HOUSING PE TN	1
1	6590894	DAMPENER HOUSING PE-C FS	1
1	6590895	DAMPENER HOUSING PE-C TN	1
1	6590896	DAMPENER HOUSING PTFE FS	1
1	6590897	DAMPENER HOUSING PTFE TN	1
1	6590898	DAMPENER HOUSING PTFE-C FS	1
1	6590899	DAMPENER HOUSING PTFE-C TN	1
2	6590900	CENTER SECTION PA6	1
2	6590901	CENTER SECTION PE-C	1
3	6590562	DIAPHRAGM EPDM	1
3	6590563	DIAPHRAGM PTFE	1
4	6590902	DIAPHRAGM SHAFT PD	1
5	6590905	SHAFT BEARING SET PD	1
6	6590906	ASSEMBLY PIN SET PD	6
7	6590903	CAP PD40	1
7	6590904	CAP PD40 COND.	1
8	6590570	O-RING CONNECTION EPDM	1
8	6590571	O-RING CONNECTION ENCAP.	1

COPYRIGHT OF THIS DRAWING IS OWNED BY "VERDER NV"  
 COPY OR DISTRIBUTION TO THIRD PARTY IS NOT PERMITTED WITHOUT WRITTEN CONFIRMATION

CAD GENERATED DRAWING,  
 MANUAL CHANGES NOT PERMITTED

DRAWN	DATE	PRODUCT NUMBER
R. R.	2014-12-12	
CHECKED	DATE	PRODUCT NAME
R. A.	2014-12-12	PD-P40
ACCORDING TO PRODUCT SPECIFICATION		
SCALE	REVISION	DRAWING NUMBER
	02	
SIZE	SHEET	STANDARD SPEC.
A3	1/1	

