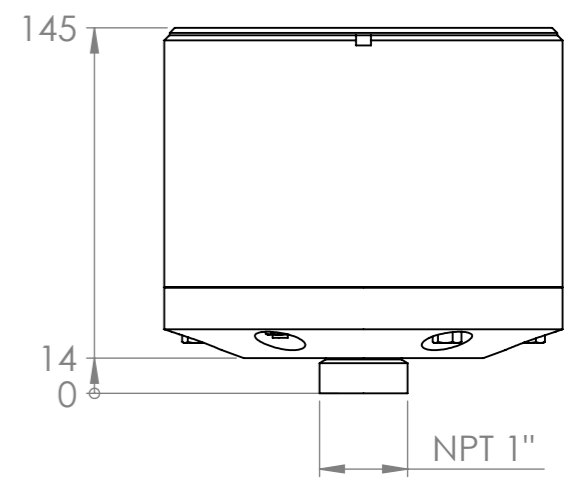
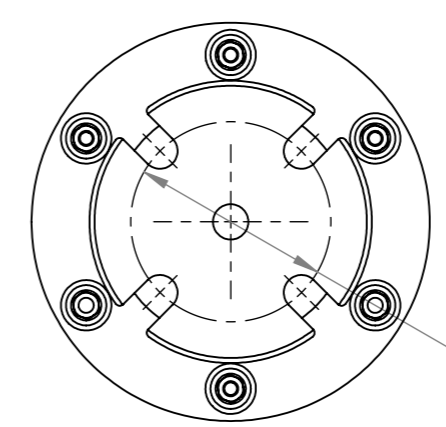


PD-P25xx xx FS

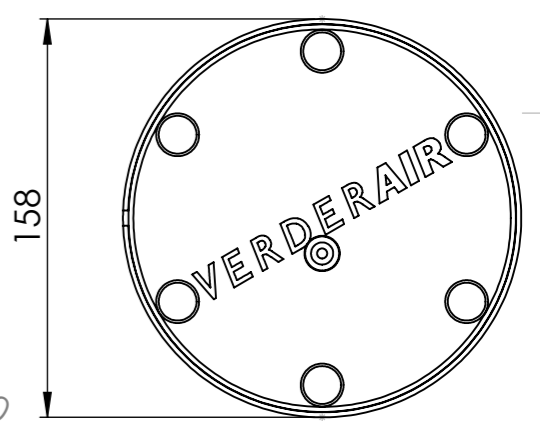


PD-P25xx xx TN

AIR INLET R 1/8"



FLANGE DIN, JIS ANSI PREPARED



POS.	PART NUMBER	PART NAME	QUANTITY
1	6590877	DAMPENER HOUSING PE FS	1
1	6590878	DAMPENER HOUSING PE TN	1
1	6590879	DAMPENER HOUSING PE-C FS	1
1	6590880	DAMPENER HOUSING PE-C TN	1
1	6590881	DAMPENER HOUSING PTFE FS	1
1	6590882	DAMPENER HOUSING PTFE TN	1
1	6590883	DAMPENER HOUSING PTFE-C FS	1
1	6590884	DAMPENER HOUSING PTFE-C TN	1
2	6590885	CENTER SECTION PA6	1
2	6590886	CENTER SECTION PE-C	1
3	6590467	DIAPHRAGM EPDM	1
3	6590468	DIAPHRAGM PTFE	1
4	6590887	DIAPHRAGM SHAFT	1
5	6590890	SHAFT BEARING SET PD	1
6	6590891	ASSEMBLY PIN SET PD	6
7	6590888	CAP PD25	1
7	6590889	CAP PD25 COND.	1
8	6590570	O-RING CONNECTION EPDM	1
8	6590571	O-RING CONNECTION ENCAP.	1

COPYRIGHT OF THIS DRAWING IS OWNED BY "VERDER NV"
 COPY OR DISTRIBUTION TO THIRD PARTY IS NOT PERMITTED WITHOUT WRITTEN CONFIRMATION

0	±0,20
0,0	±0,10
0,00	±0,05
0,000	±0,02
TOLERANCING	

DRAWN		DATE	PRODUCT NUMBER
R. R.		2014-12-12	
CHECKED		DATE	PRODUCT NAME
R. A.		2014-12-12	PD-P25
MATERIAL			
WEIGHT	SCALE	REV.	DRAWING NUMBER
	1:10	02	
SIZE	SHEET	STANDARD SPEC.	
A3	1 / 2		

