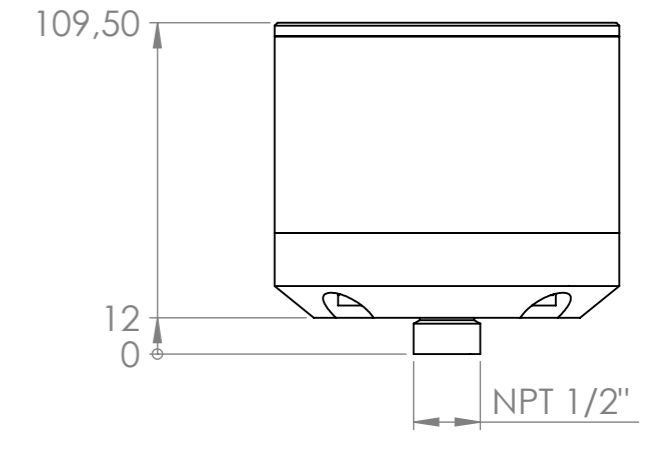
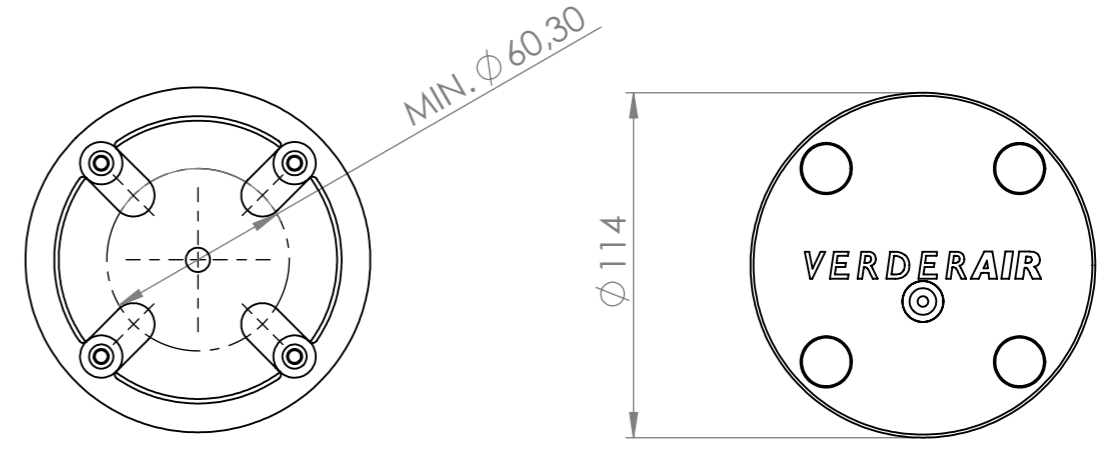


PD-P15xx xx FS



PD-P15xx xx TN

AIR INLET R 1/8"



FLANGE DIN, JIS, ANSI PREPARED

POS.	PART NUMBER	PART NAME	QUANTITY
1	6590862	DAMPENER HOUSING PE FS	1
1	6590863	DAMPENER HOUSING PE TN	1
1	6590864	DAMPENER HOUSING PE-C FS	1
1	6590865	DAMPENER HOUSING PE-C TN	1
1	6590866	DAMPENER HOUSING PTFE FS	1
1	6590867	DAMPENER HOUSING PTFE TN	1
1	6590868	DAMPENER HOUSING PTFE-C FS	1
1	6590869	DAMPENER HOUSING PTFE-C TN	1
2	6590870	CENTER SECTION PA6	1
2	6590871	CENTER SECTION PE-C	1
3	6590346	DIAPHRAGM EPDM	1
3	6590347	DIAPHRAGM PTFE	1
4	6590872	DAMPENER SHAFT PD	1
5	6590875	SHAFT BEARING SET	1
6	6590876	ASSEMBLY PIN SET	4
7	6590873	CAP PD15	1
7	6590874	CAP PD15 COND.	1
8	6590475	O-RING CONNECTION EPDM	1
8	6590476	O-RING CONNECTION ENCAP.	1

COPYRIGHT OF THIS DRAWING IS OWNED BY "VERDER NV"
 COPY OR DISTRIBUTION TO THIRD PARTY IS NOT PERMITTED WITHOUT WRITTEN CONFIRMATION

0	±0,20
0,0	±0,10
0,00	±0,05
0,000	±0,02
TOLERANCING	

DRAWN		DATE		PRODUCT NUMBER	
R. R.		2014-12-12			
CHECKED		DATE		PRODUCT NAME	
R. A.		2014-12-12		PD-P15	
MATERIAL					
WEIGHT		SCALE		REVISION	
		1:5		02	
SIZE		SHEET		DRAWING NUMBER	
A3		1 / 3			
STANDARD SPEC.					

